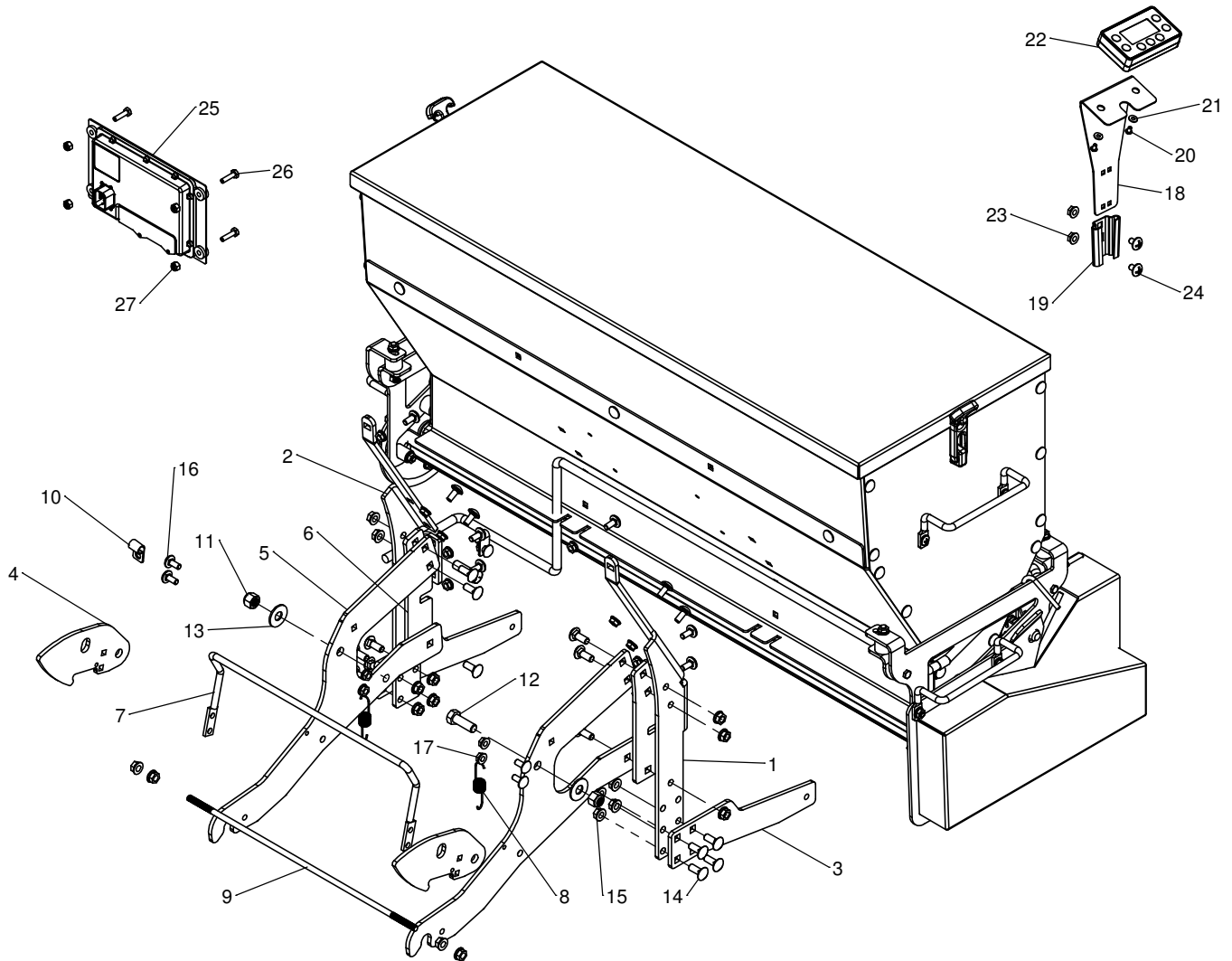


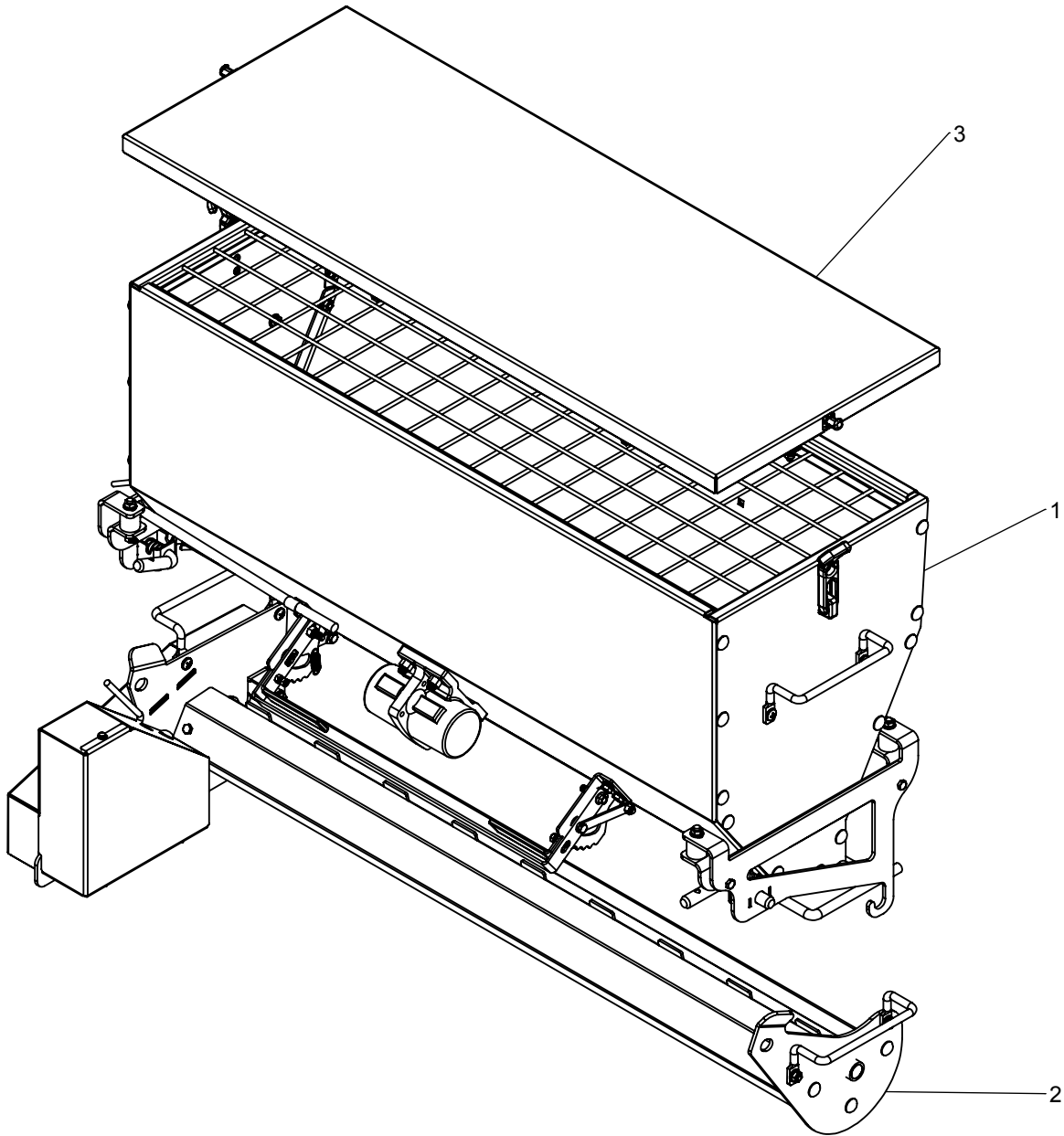
LP53522 - Click N Go Drop Spreader



| ITEM NO. | PART NUMBER | DESCRIPTION | QTY. |
|----------|-------------|----------------------------------|------|
| 1 | ST50454 | Leg, Frame | 1 |
| 2 | ST50455 | Leg, Frame | 1 |
| 3 | ST50457 | Foot | 2 |
| 4 | ST50461 | Upper Latch Arm | 2 |
| 5 | ST50458 | Lower Support Arm | 2 |
| 6 | ST50534 | Shim, Click N Go | 2 |
| 7 | ST50460 | Release Bar | 1 |
| 8 | ST50469 | Extension Spring | 2 |
| 9 | ST43397 | 3/8"x18.5" Rod | 1 |
| 10 | ST50468 | Clamp, 1/2"ID Coated | 2 |
| 11 | ST65048 | 1/2" Nyloc Lock Nut | 2 |
| 12 | ST65094 | 1/2" x 1-1/2" Hex Bolt | 2 |
| 13 | ST65077 | 1/2" Washer | 2 |
| 14 | ST65136 | 3/8 x 1 Carriage Bolt | 14 |
| 15 | ST65126 | Nut, 3/8" Flange S.S. | 18 |
| 16 | ST65122 | Bolt, 5/16" x 3/4" Carriage S.S. | 15 |
| 17 | ST65124 | Nut, 5/16" Flange S.S. | 15 |

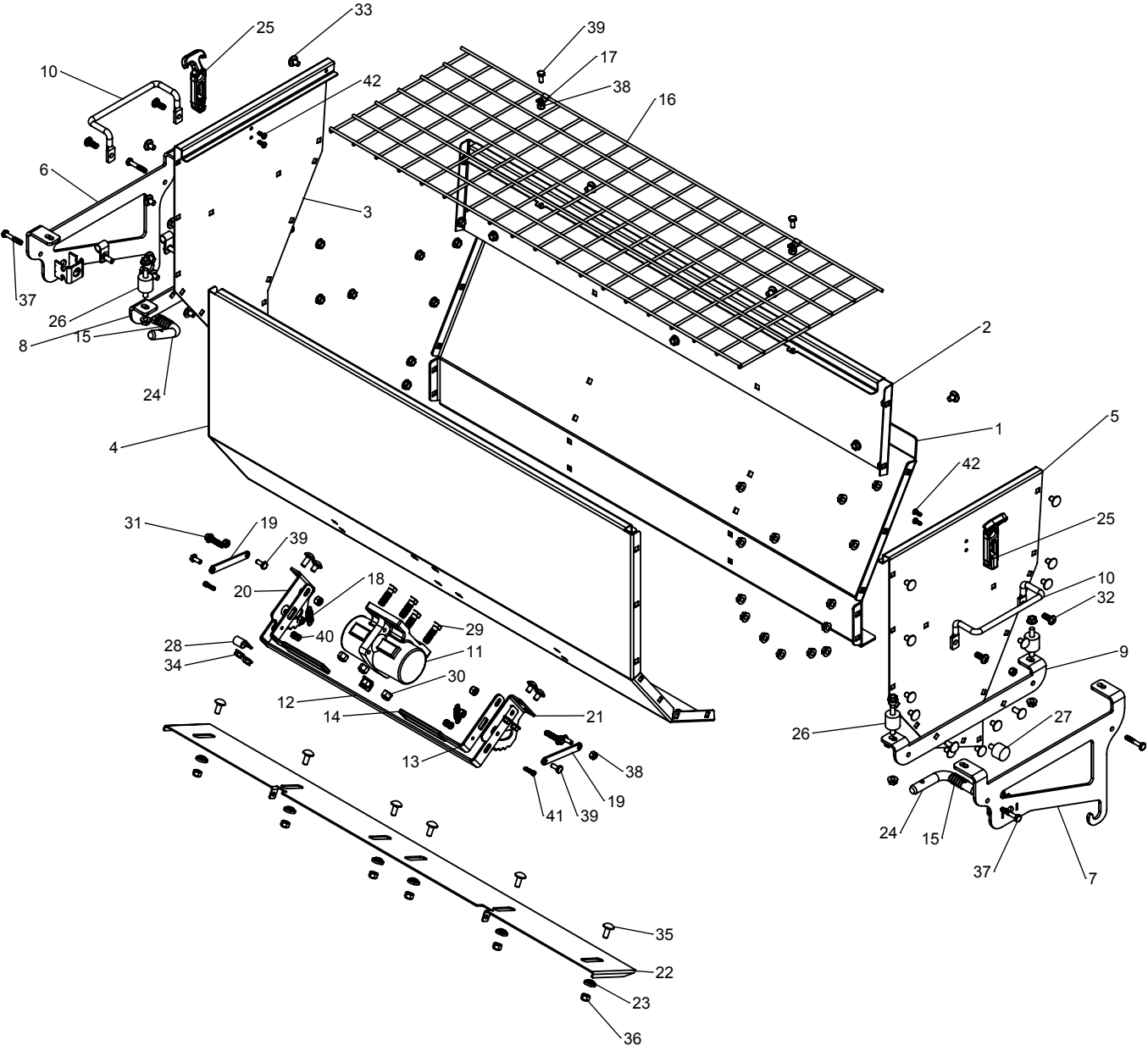
| ITEM NO. | PART NUMBER | DESCRIPTION | QTY. |
|----------|-------------|----------------------------|------|
| 18 | ST50960 | Display Bracket | 1 |
| 19 | ST48296 | Bracket Receiver | 1 |
| 20 | ST65275 | M5x8 Button-Head Screw | 2 |
| 21 | ST65260 | M5 Flat Washer | 2 |
| 22 | ST48613 | User Interface | 1 |
| 23 | ST65008 | 5/16 Flange Nut | 2 |
| 24 | ST65031 | 5/16 x 1/2 Truss Head Bolt | 2 |
| 25 | SA10028 | Control Module | 1 |
| 26 | ST65224 | 1/4 x 1 Hex Bolt SS | 4 |
| 27 | ST65115 | 1/4 Nylon Lock Nut SS | 4 |
| - | ST50974 | Display Cable | 1 |
| - | ST50941 | Power Harness | 1 |

ST50483 - Drop Spreader Assemblies



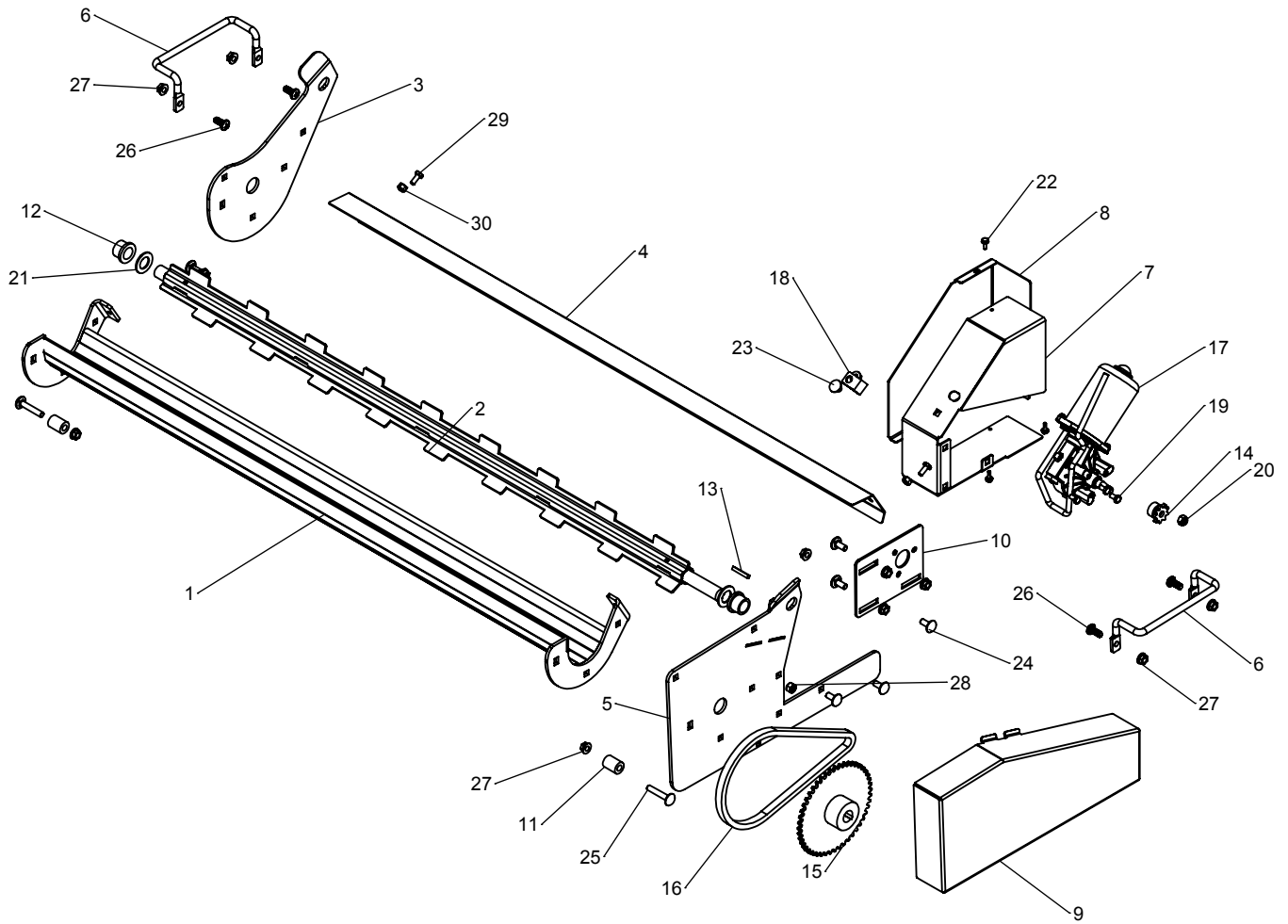
| ITEM NO. | PART NUMBER | DESCRIPTION | QTY. |
|----------|-------------|-----------------|------|
| 1 | ST50477 | Hopper Assembly | 1 |
| 2 | ST50478 | Tray Assembly | 1 |
| 3 | ST50432 | Lid Assembly | 1 |

ST50477 - Drop Spreader Hopper Assembly



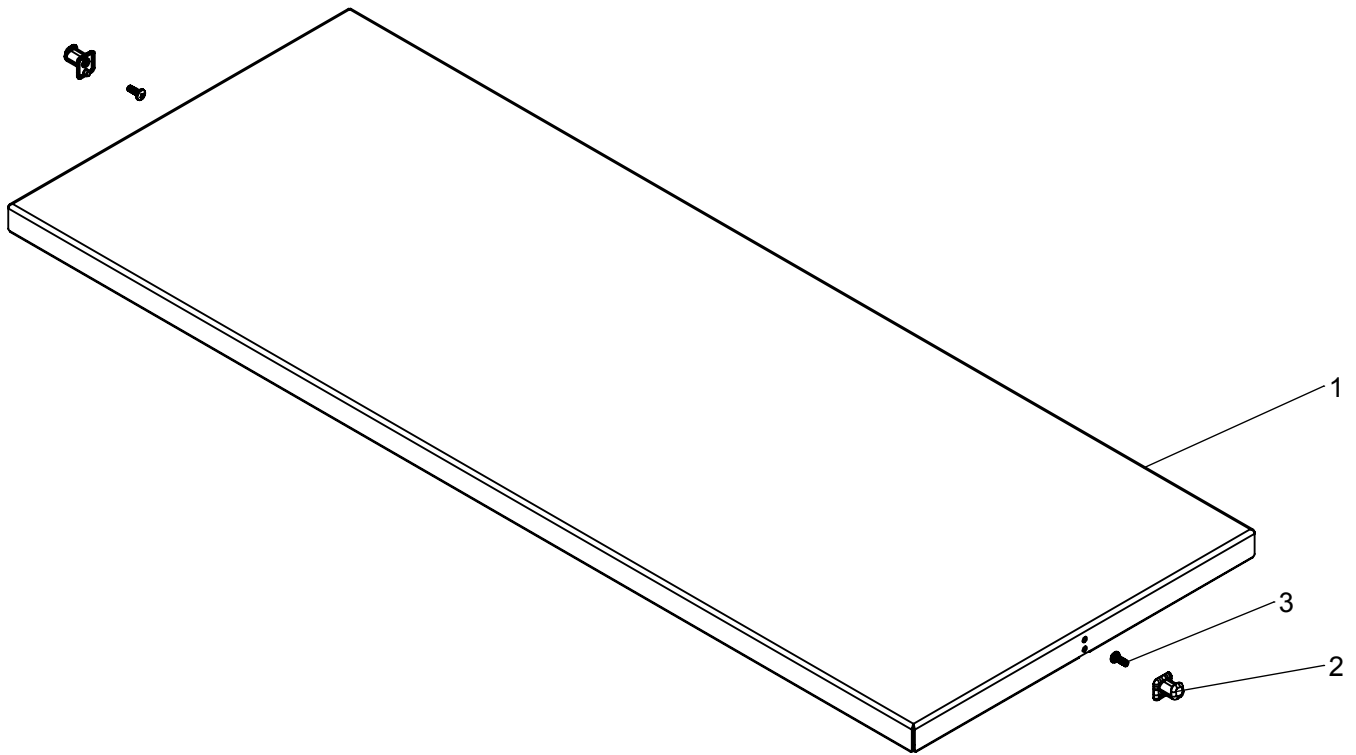
| ITEM NO. | PART NUMBER | DESCRIPTION | Standard/QTY. |
|-----------|-------------|--|---------------|
| 1 | ST50827 | Wall, Front Lower Hopper | 1 |
| 2 | ST50410 | Wall, Front Upper Hopper | 1 |
| 3 | ST50408 | Wall, Left Hopper | 1 |
| 4 | ST50412 | Wall, Back Hopper | 1 |
| 5 | ST50409 | Wall, Right Hopper | 1 |
| 6 | ST50479 | Left Tray Hanger | 1 |
| 7 | ST50480 | Right Tray Hanger | 1 |
| 8 | ST50425 | Base, Vibration Mount Left | 1 |
| 9 | ST50426 | Base, Vibration Mount Right | 1 |
| 10 | ST50447 | Handle | 2 |
| 11 | ST50825 | Vibrator | 1 |
| 12 | ST50557 | Gate Handle | 1 |
| 13 | ST50558 | Gate Latch Lever | 2 |
| 14 | ST50561 | Handle Grip | 2 |
| 15 | ST50360 | Spring | 2 |
| 16 | ST50450 | Grate | 1 |
| 17 | ST50453 | Clip | 2 |
| 18 | ST50449 | Spring | 2 |
| 19 | ST50562 | linkage | 2 |
| 20 | ST50559 | Selector, Gate Position | 1 |
| 21 | ST50560 | Selector, Gate Position | 1 |
| 22 | ST50437 | Gate, Flow Control | 1 |
| 23 | ST50436 | Shoulder Washer USA | 6 |
| 24 | ST50359 | Locking Pin 5/8" dia S.S | 2 |
| 25 | ST50451 | Rubber Latch | 2 |
| 26 | ST50490 | Rubber Isolator | 4 |
| 27 | ST50424 | Rubber Bumper | 2 |
| 28 | ST50468 | Clamp, 1/2"ID x .75W Vinyl Coated | 4 |
| 29 | ST65138 | 3/8" x 1-1/4" S.S Hex Bolt | 4 |
| 30 | ST65127 | Nut, 3/8" Nylock S.S. | 4 |
| 31 | ST65146 | Cap Screw 5/16" x 1-1/4" S.S. | 2 |
| 32 | ST65137 | Pan Head Phil.#4 5/16"-18 x 3/4" S.S. | 4 |
| 33 | ST65121 | Bolt, 5/16" x 1/2" Short Neck Carriage S.S | 27 |
| 34 | ST65124 | Nut, 5/16" Flange S.S. | 47 |
| 35 | ST65122 | Bolt, 5/16" x 3/4" Carriage S.S. | 12 |
| 36 | ST65099 | Nut, 5/16"-18 Nylock S.S. | 8 |
| 37 | ST65168 | 1/4" x 1-1/2" S.S. Hex Bolt | 4 |
| 38 | ST65115 | 1/4"-20 S.S. Nylon Lock Nut | 10 |
| 39 | ST65120 | Bolt, 1/4"-20 x 5/8" Hex S.S. | 6 |
| 40 | ST65148 | 10-24 S.S. Nylon Lock Nut | 4 |
| 41 | ST65147 | 10-24 x 3/4" Cap Screw S.S. | 2 |
| 42 | ST65130 | 10-24 #2 S/S Pan Screw | 4 |
| Not Shown | ST50421 | Motor Harness | 1 |

ST50478 - Drop Spreader Tray Assembly



| ITEM NO. | PART NUMBER | DESCRIPTION | QTY. |
|----------|-------------|--|------|
| 1 | ST50473 | Tray Weldment | 1 |
| 2 | ST50471 | Welded Auger | 1 |
| 3 | ST50430 | Plate, Tray Mount Right | 1 |
| 4 | ST50431 | Shield, Tray Auger | 1 |
| 5 | ST50445 | Plate, Tray Mount Left | 1 |
| 6 | ST50447 | Handle | 2 |
| 7 | ST50443 | Shield, Motor Inner | 1 |
| 8 | ST50444 | Shield, Motor Outer | 1 |
| 9 | ST50446 | Shield, Chain Drive | 1 |
| 10 | ST50427 | Plate, Motor Mount | 1 |
| 11 | ST50428 | Bushing, Tray Hook | 2 |
| 12 | ST50419 | Bearing, Bronze Flanged Sleeve | 2 |
| 13 | ST50487 | Key 3/16" x 1-1/4" | 1 |
| 14 | ST50435 | Sprocket, 35 Series 9T | 1 |
| 15 | ST50472 | Sprocket 48 Tooth | 1 |
| 16 | ST50470 | Chain, 35 Series | 1 |
| 17 | ST50452 | Motor, Electric | 1 |
| 18 | ST50468 | Clamp, 1/2"ID x .75W Vinyl Coated | 1 |
| 19 | ST65132 | M6 x 12mm Hex Bolt | 3 |
| 20 | ST65128 | Nut, M8 Nylock S.S. | 1 |
| 21 | ST65129 | Washer, 3/4"ID 1.32"OD Flat S.S. | 2 |
| 22 | ST65131 | Screw, #10-24 Thread-Cutting Screw | 3 |
| 23 | ST65121 | Bolt, 5/16" x 1/2" Short Neck Carriage S.S | 1 |
| 24 | ST65122 | Bolt, 5/16" x 3/4" Carriage S.S. | 8 |
| 25 | ST65123 | Bolt, 5/16" x 1-3/4" Carriage S.S. | 2 |
| 26 | ST65137 | Pan Head Phil.#4 5/16"-18 x 3/4" S.S. | 4 |
| 27 | ST65124 | Nut, 5/16" Flange S.S. | 14 |
| 28 | ST65099 | Nut, 5/16"-18 Nylock S.S. | 1 |
| 29 | ST65120 | Bolt, 1/4"-20 x 5/8" Hex S.S. | 2 |
| 30 | ST65115 | 1/4"-20 S.S. Nylon Lock Nut | 2 |

ST50432 - Drop Spreader Lid Assembly



| ITEM NO. | PART NUMBER | DESCRIPTION | QTY. |
|----------|-------------|---|------|
| 1 | ST50432 | Lid, Hopper | 1 |
| 2 | ST50451 | Latch Stud | 2 |
| 3 | ST65130 | Screw, #10-24 1/2" #2 Phil. Pan Head S.S. | 2 |